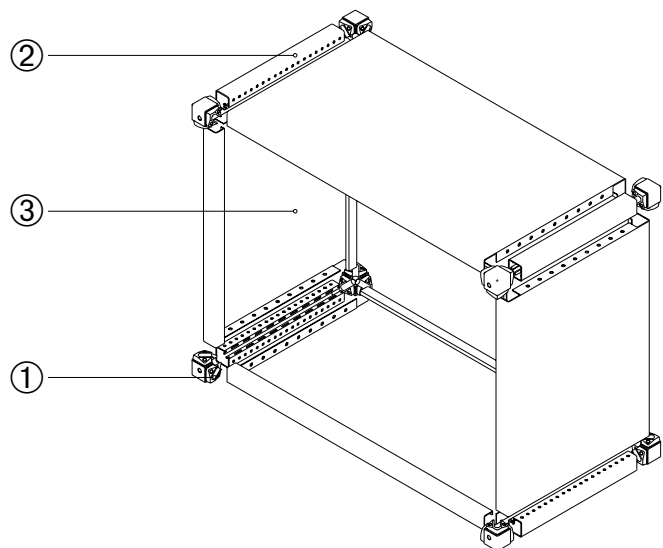


Enclosure Components / Kapslingskomponenter

Cabinet Enclosures / Kabinetopbygninger



CABINET ENCLOSURES

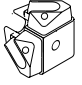
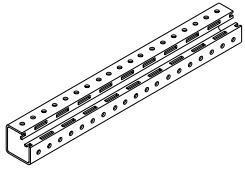
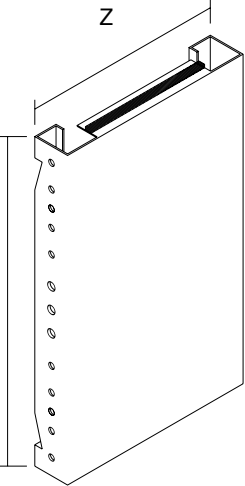
A cabinet casing consists of 8 corners (AHC2), 4 corner pieces (AHS) and 4 cabinet panels (ACA) this provides casing on the top, bottom and sides. Cabinet panels may be combined with AKA frame bars (use AHC6 corner). The casings may be floor mounted (Pg.6.0) or wall mounted (Pg.27.0). (Spare Parts Pg. 28.0).

NB! fasteners to be ordered separately.

KABINETOPBYGNINGER.

Kabinetopbygninger sammenskrues af 8 hjørner (AHC2), 4 hjørnestykker (AHS) og 4 Kabinetplader (ACA), som lukker opbygningen i top, bund og sider. Kabinetplader kan kombineres med AKA skinner (brug AHC6 hjørne) og monteres på gulv (side 6.0) eller væg (side 27.0). (Reserve dele se side 28.0)

NB! skruer skal bestilles separat.

Drawing	Type	X.Y.Z	Description	Order No.	Order No.	Order No.	Code
				Painted/Malet	Stainless/Rustfri	Aluzinc/Aluzink	
① 	AHC		Corner no.2 / Hjørne nr. 2	20001	20665	21001	A/A/B
② 	AHS	Z	Corner piece / Hjørnestykke	20344	20897	22344	A/B/C
	AHS	1	Corner piece / Hjørnestykke	20345	20898	22345	A/B/C
	AHS	2	Corner piece / Hjørnestykke	20346	20899	22346	A/B/C
③ 	ACA	Z, (X,Y)	Cabinet panel / Kabinetplade	20347	20900	22347	A/B/C
	ACA	1.1	Cabinet panel / Kabinetplade	20348	20901	22348	A/B/C
	ACA	1.2	Cabinet panel / Kabinetplade	20349	20902	22349	A/B/C
	ACA	1.3	Cabinet panel / Kabinetplade	20350	20903	22350	A/B/C
	ACA	1.4	Cabinet panel / Kabinetplade	20351	20904	22351	A/B/C
	ACA	1.5	Cabinet panel / Kabinetplade	20352	20905	22352	A/B/C
	ACA	1.6	Cabinet panel / Kabinetplade	20353	20906	22353	A/B/C
	ACA	1.7	Cabinet panel / Kabinetplade	20354	20907	22354	A/B/C
	ACA	1.8	Cabinet panel / Kabinetplade	20355	20908	22355	A/B/C
	ACA	1.9	Cabinet panel / Kabinetplade	20356	20909	22356	A/B/C
	ACA	1.10	Cabinet panel / Kabinetplade	21880		22880	B/ /C
	ACA	1.11	Cabinet panel / Kabinetplade	21881		22881	B/ /C
	ACA	1.12	Cabinet panel / Kabinetplade				
	ACA	2.1	Cabinet panel / Kabinetplade	20357	20910	22357	A/B/C
	ACA	2.2	Cabinet panel / Kabinetplade	20358	20911	22358	A/B/C
	ACA	2.3	Cabinet panel / Kabinetplade	20359	20912	22359	A/B/C
	ACA	2.4	Cabinet panel / Kabinetplade	20360	20913	22360	A/B/C
	ACA	2.5	Cabinet panel / Kabinetplade	20361	20914	22361	A/B/C
	ACA	2.6	Cabinet panel / Kabinetplade	20362	20915	22362	A/B/C
	ACA	2.7	Cabinet panel / Kabinetplade	20363	20916	22363	A/B/C
ACA	2.8	Cabinet panel / Kabinetplade	20364	20917	22364	A/B/C	
ACA	2.9	Cabinet panel / Kabinetplade	20365	20918	22365	A/B/C	
ACA	2.10	Cabinet panel / Kabinetplade	20366	20919	22366	A/B/C	
ACA	2.11	Cabinet panel / Kabinetplade	21882		22882	B/ /C	
ACA	2.12	Cabinet panel / Kabinetplade	21883		22883	B/ /C	

4.0

Section: 01 Rev. no. 008
Sektion: Rev. nr.

Approved By: JLI
Godk. af:

Made By: RO'C
Udarb. af:

Date: 14/12/00
Dato:

logstrup

Delivery code A = 2 weeks B = 6 weeks C = on request